

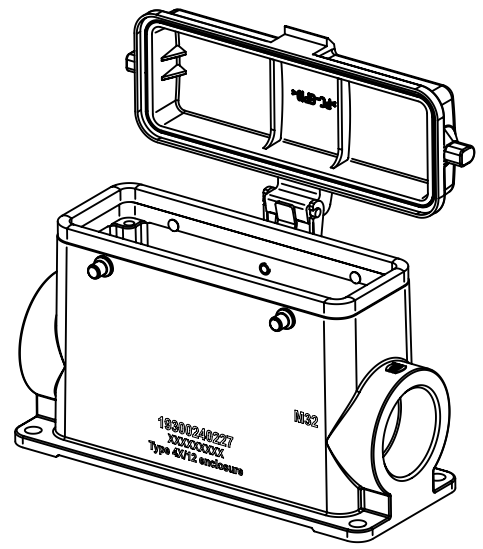
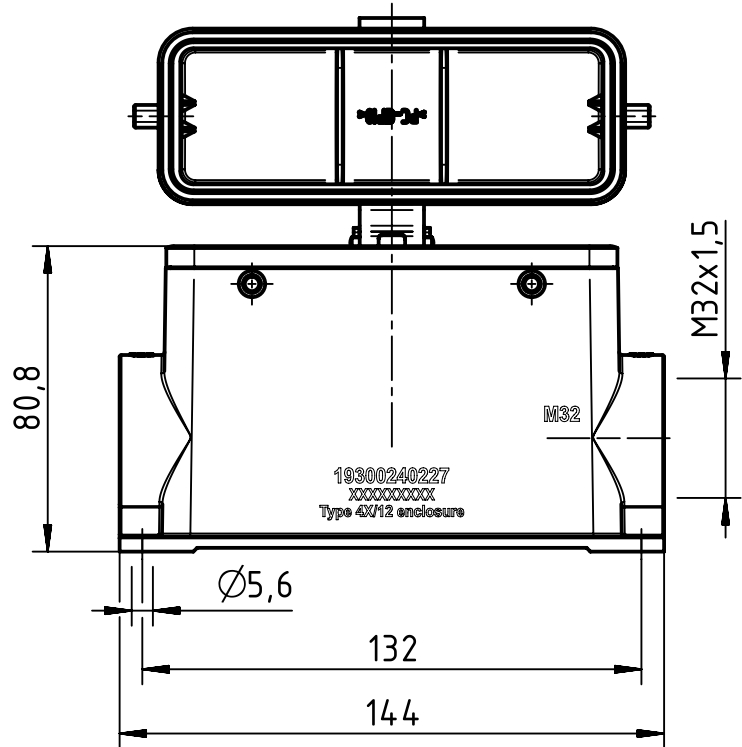
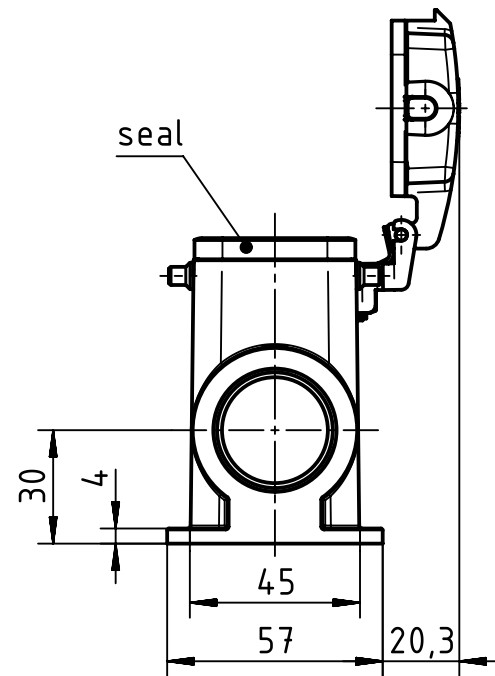
1 2 3 4 5 6

A

B

C

D



	All Dimensions in mm Original Size DIN A4		Scale 1:2	Free size tol.		Ref.		
						Sub.		
	All rights reserved		Created by FINKEV	Inspected by GERB	Standardisation RUETERA	Date 2020-03-11	State Final Release	
	Department EL PD		Title Han 24B-asg1-K-M32				Doc-Key / ECM-Nr. 100205804/UGD/002/C 500000166178	
HARTING Electric GmbH & Co. KG D-32339 Espelkamp			Type TB	Number 19 30 024 0227			Rev. C	Page 1/1