

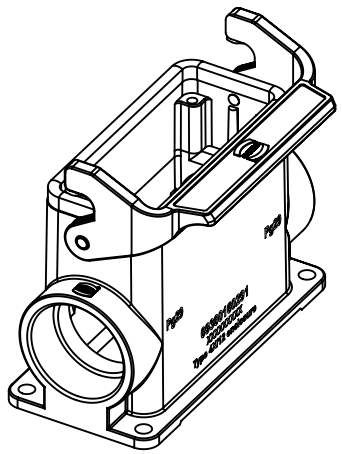
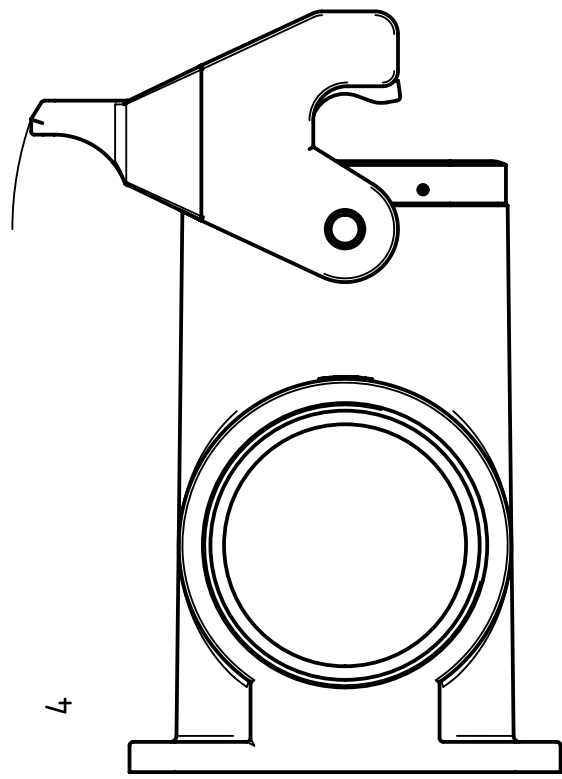
1 2 3 4 5 6

A

B

C

D



All Dimensions in mm  
Original Size DIN A4

Scale Free size tol.  
1:1

Ref.  
Sub.  
Date 2020-01-07

State  
Final Release

All rights reserved  
Department EL PD

Created by  
SPRENB

Inspected by  
GERB

Standardisation  
GARSKE

HARTING Electric GmbH & Co. KG  
D-32339 Espelkamp

Title Han B Base Surface HC 1 Lever 2 Entries

Type TB Number 09 30 016 0291

Doc-Key / ECM-Nr.  
100210138/UGD/004/C  
500000162090

Rev. C Page 1/1