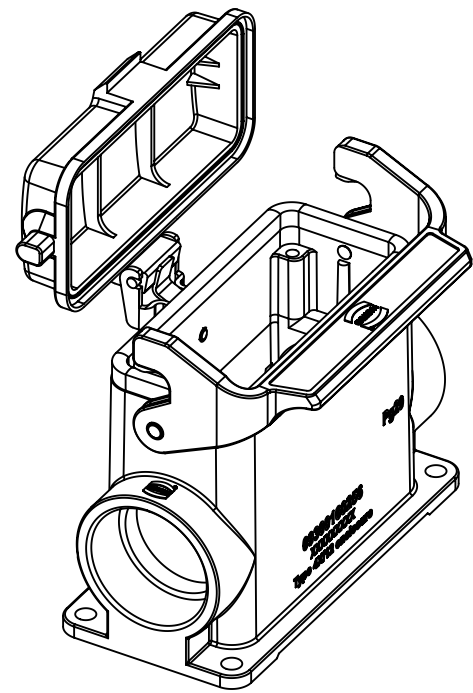
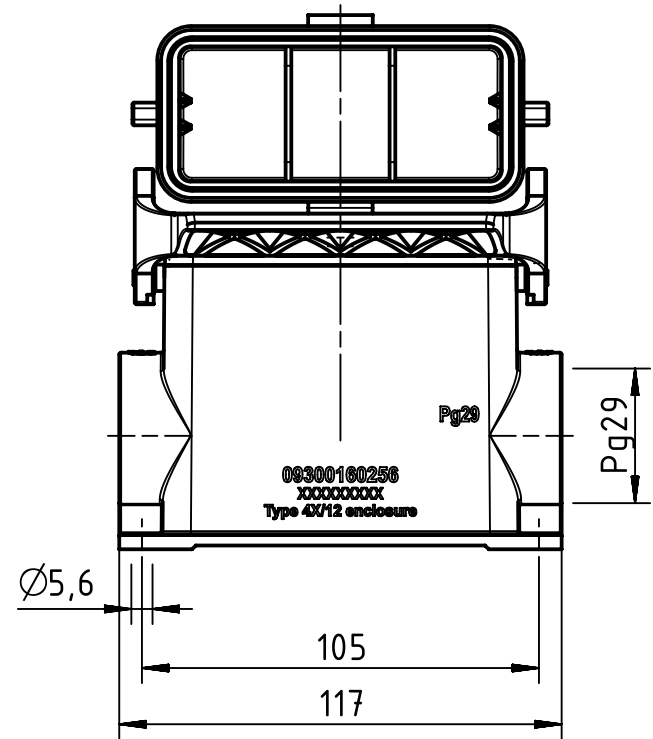
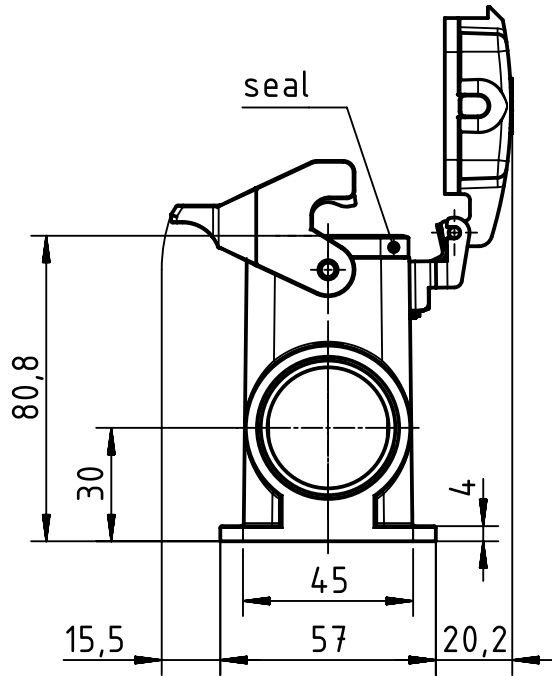


A

B

C

D



	All Dimensions in mm Original Size DIN A4		Scale 1:2	Free size tol.		Ref.
						Sub.
	All rights reserved		Created by SPRENB	Inspected by GERB	Standardisation GARSKE	Date 2020-01-07
	Department EL PD					State Final Release
HARTING Electric GmbH & Co. KG D-32339 Espelkamp			Title Han 16B-asg1-LB-K-29			Doc-Key / ECM-Nr. 100209862/UGD/004/C 500000162090
			Type TB	Number 09 30 016 0256		Rev. <b>C</b>
						Page 1/1