

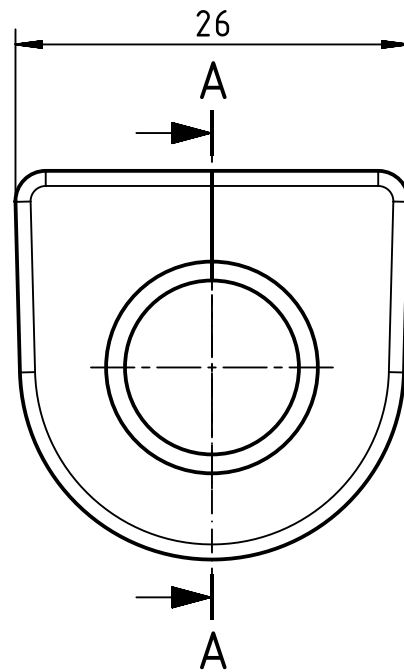
1 2 3 4 5 6

A

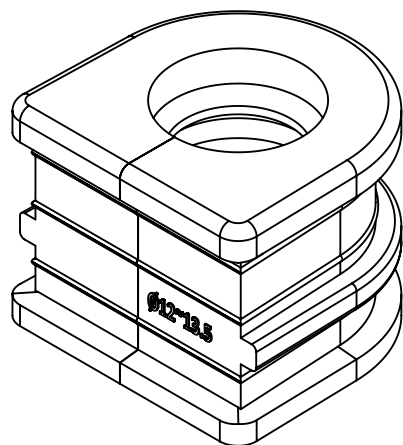
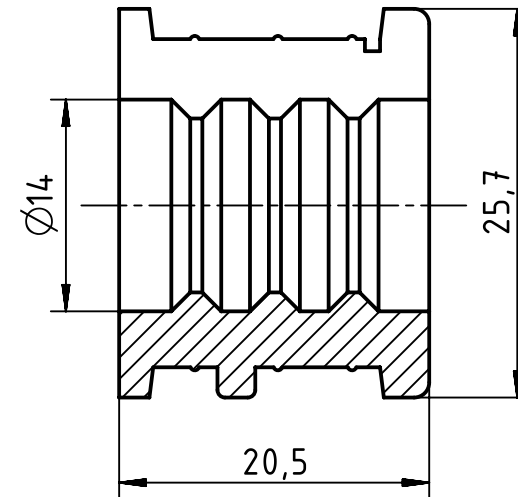
B

C


D



A-A



suitable cable $\varnothing 12 \sim \varnothing 13,5 \text{ mm}$

	All rights reserved Department EL PD	All Dimensions in mm Original Size DIN A4	Scale 2:1	Free size tol.		Ref.
		HARTING Electric GmbH & Co. KG D-32339 Espelkamp	Created by LONGL	Inspected by DINGB	Standardisation RUETERA	Date 2018-07-10
Title Cable Sealing f. Split Hood OD 12~13.5mm						Doc-Key / ECM-Nr. 100737039/UGD/001/A 500000137432
Type TB		Number 09 00 000 6010			Rev. A	Page 1/1