

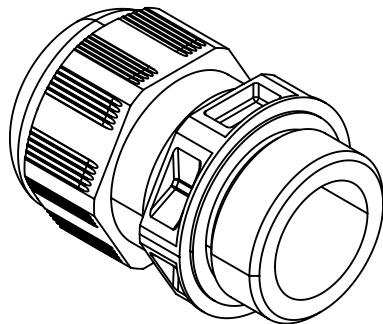
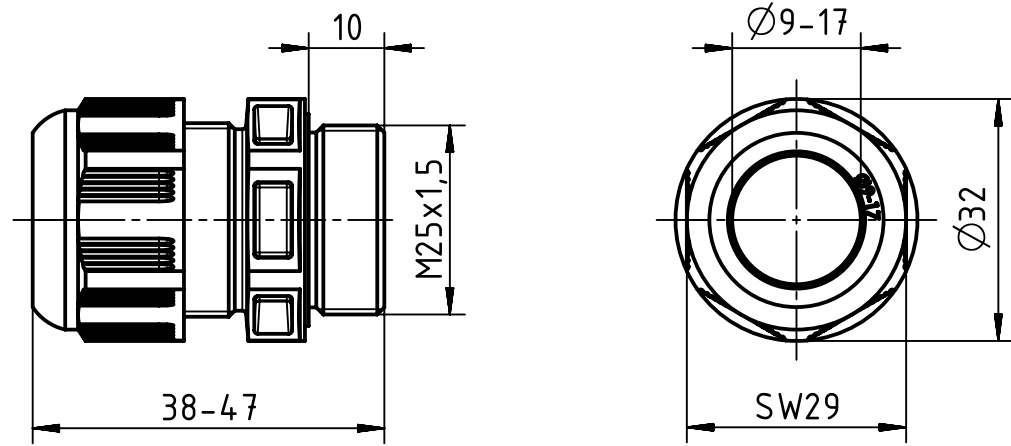
1 2 3 4 5 6


A

B

C

D



	All rights reserved Department EL PD - DE	All Dimensions in mm Original Size DIN A4		Scale 1:1	Free size tol.		Ref.	
		HARTING Electric GmbH & Co. KG D-32339 Espelkamp		Created by HOLLERT	Inspected by GRIEPENSTROH	Standardisation RUETERA	Date 2017-03-29	State Final Release
Title Han-Eco Cable gland M25							Doc-Key / ECM-Nr. 100601733/UGD/003/A 500000116853	
Type TB				Number 19 41 000 5121			Rev. A	Page 1/1