

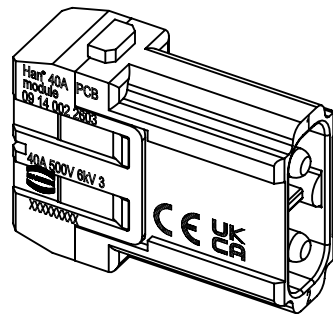
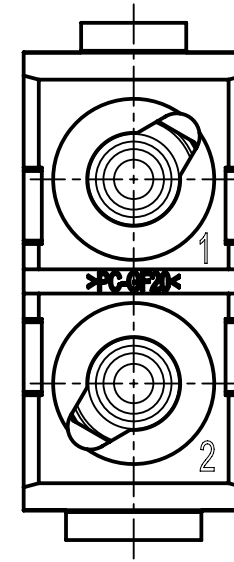
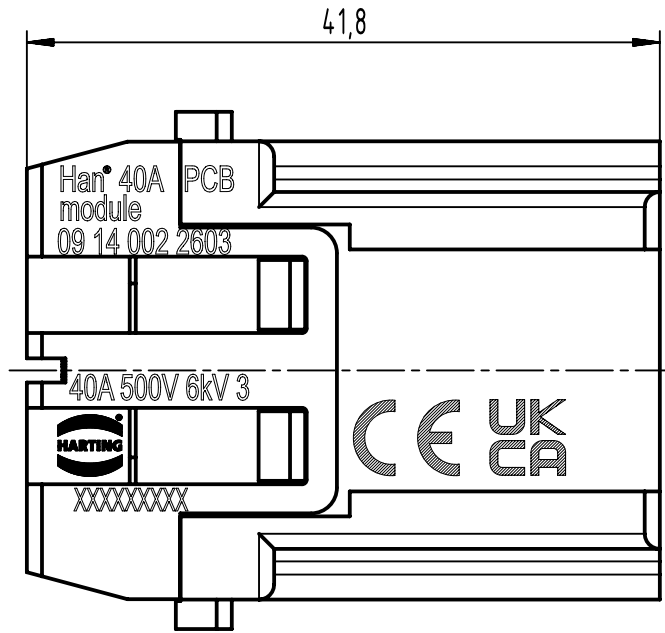
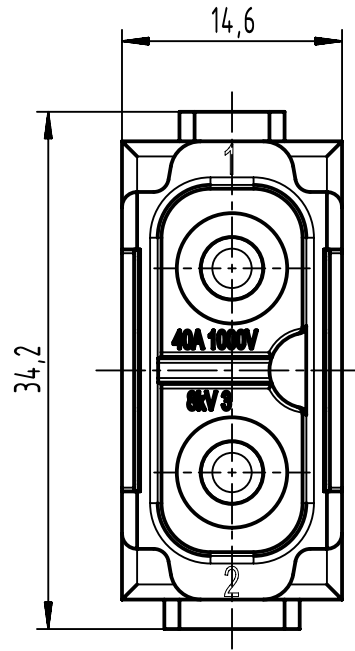
1 2 3 4 5 6

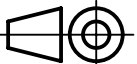

A

B

C

D



 All Dimensions in mm Original Size DIN A4	Scale	Free size tol.		Ref.	
	2:1			Sub.	
 All rights reserved Department EL PD	Created by	Inspected by	Standardisation	Date	State
	HOLLERT	SUNDERMEIER		2022-12-13	Final Release
HARTING D-32339 Espelkamp	Title			Doc-Key / ECM-Nr.	
	Han 40A PCB module, male			100169062/UGD/006/B 500000232446	
Type	Number	Rev.		Page	
TB	09 14 002 2603	B		1/1	