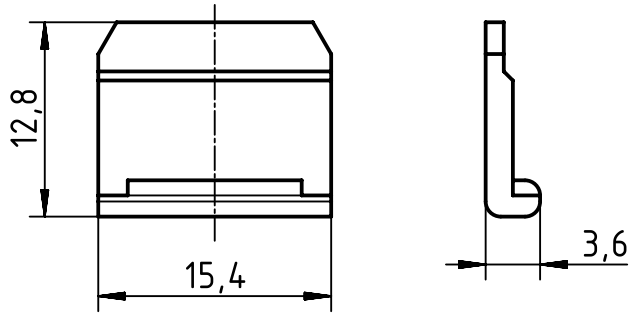
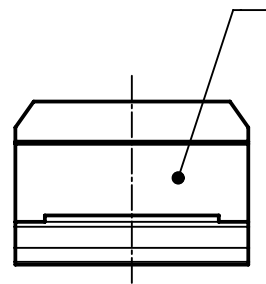


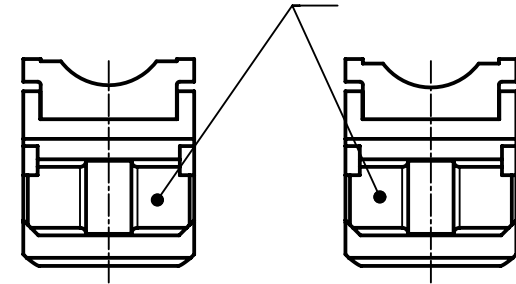
Pos.01



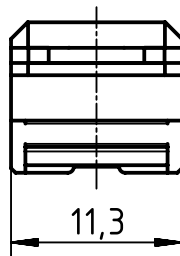
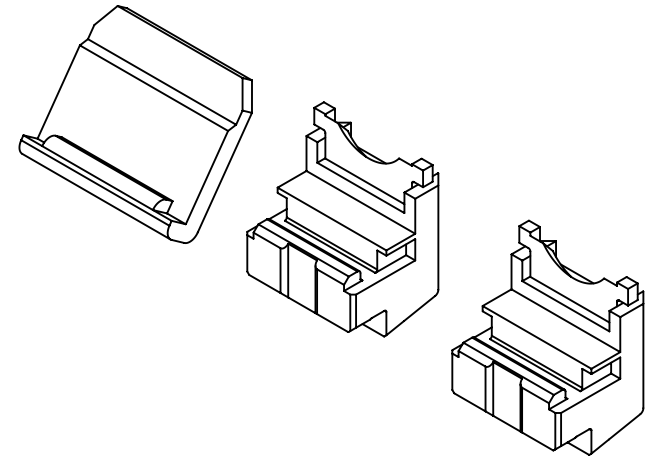
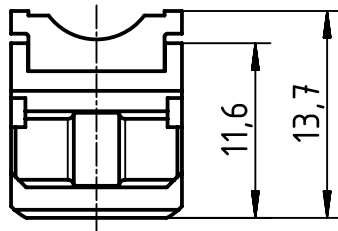
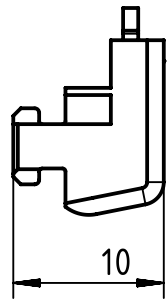
01




02



Pos.02



	All Dimensions in mm Original Size DIN A4		Scale 2:1	Free size tol.		Ref.		
	All rights reserved Department EL PD		Created by FINKEV	Inspected by RIEPE	Standardisation RUETERA	Date 2019-07-04	State Final Release	
HARTING Electric GmbH & Co. KG D-32339 Espelkamp		Title Stripping Blade Set / oval					Doc-Key / ECM-Nr. 100842238/UGD/001/A 500000154517	
		Type TB	Number 09 99 000 0982			Rev. A	Page 1/1	