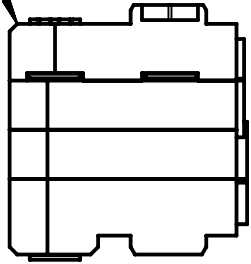
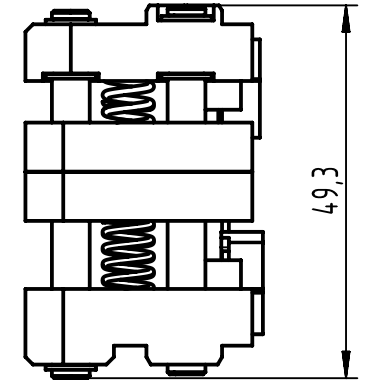
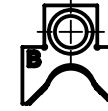
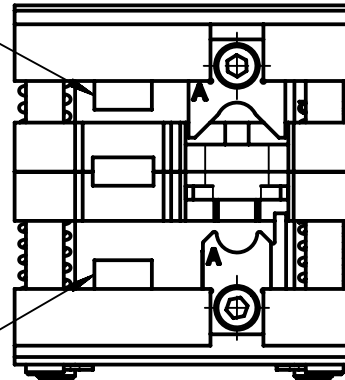


Top Insert 1: compressed

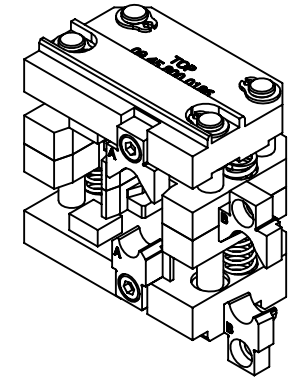
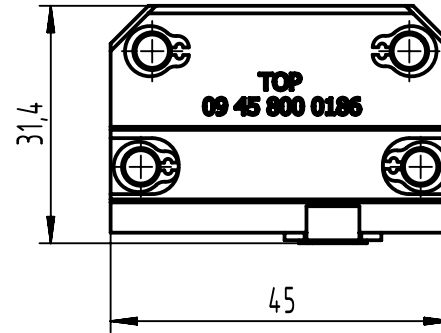
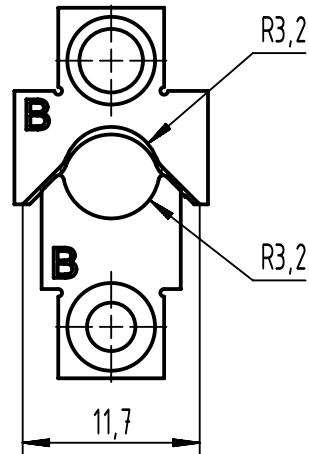
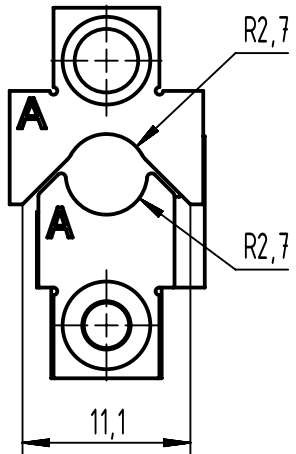


Wire Manager
Upper Punch

Wire Manager
Lower Punch




(2:1)



Shielding crimping inserts "A"
for 5,5-6,4 cable diameter

Shielding crimping inserts "B"
for 6,5-7,5 cable diameter

	All Dimensions in mm Original Size DIN A4		Scale 1:1	Free size tol.		Ref.	
	All rights reserved		Created by BALSAN	Inspected by PREOTU	Standardisation ROEBEN	Date 2023-03-14	State Final Release
Department EL PD		Title ix Industrial handtool insert 1				Doc-Key / ECM-Nr. 101046879/UGD/000/B 500000239636	
HARTING D-32339 Espelkamp		Type TB	Number 09458000186			Rev. B	Page 1/1