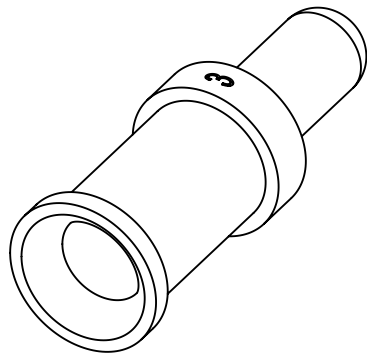



wire gauge: 3mm² / AWG 12
 stripping length: 6,5mm
 coating: gold plated



	All Dimensions in mm Original Size DIN A4	Scale 10:1	Free size tol.		Ref.
	All rights reserved Department EL PD - DE	Created by HOLLERT	Inspected by RIEPE	Standardisation TIEMANNA	Date 2013-11-28
HARTING Electric GmbH & Co. KG D-32339 Espelkamp		Title Han-Yellock crimp contact male 3mm ²			Doc-Key / ECM-Nr. 100523820/UGD/001/B 500000068615
		Type TB	Number 11 05 000 6127		Rev. B Page 1/1