

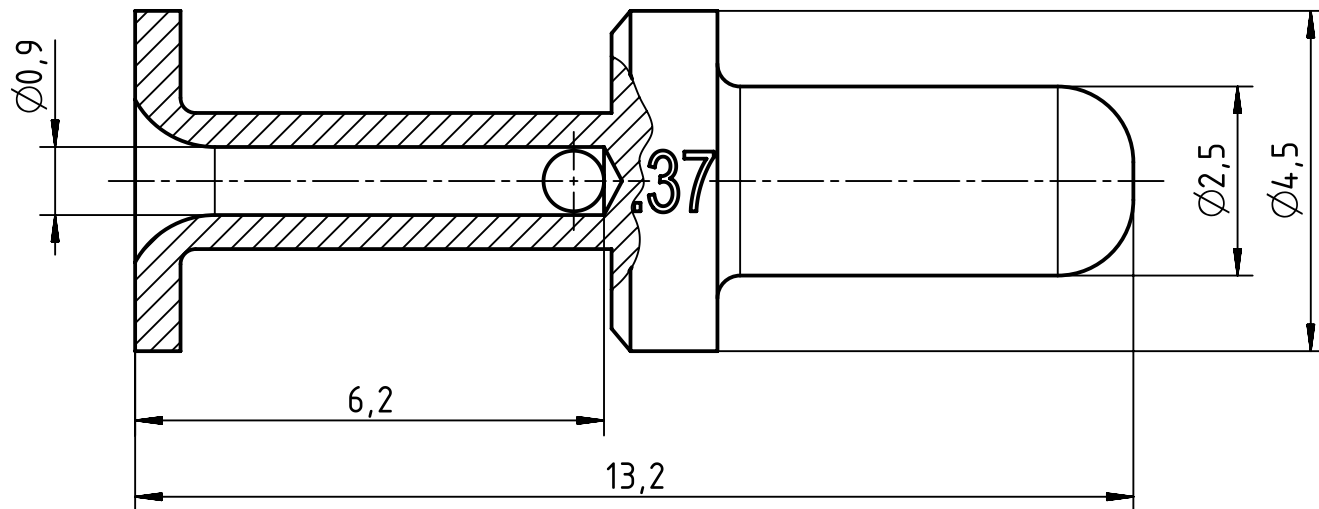
1 2 3 4 5 6

A

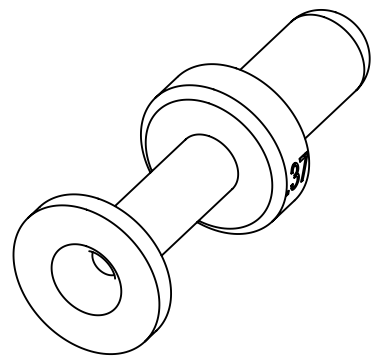
B

C

D



wire gauge: 0,37mm² / AWG 22
 stripping length: 6.5mm
 coating: gold plated



	All Dimensions in mm Original Size DIN A4		Scale 10:1	Free size tol.		Ref.
						Sub.
	All rights reserved		Created by HOLLERT	Inspected by RIEPE	Standardisation TIEMANNA	Date 2013-11-28
	Department EL PD - DE					State Final Release
HARTING Electric GmbH & Co. KG D-32339 Espelkamp			Title Han-Yellock crimp contact male 0.37mm ²			Doc-Key / ECM-Nr. 100523704/UGD/001/B 500000068615
			Type TB	Number 11 05 000 6121		Rev. B Page 1/1