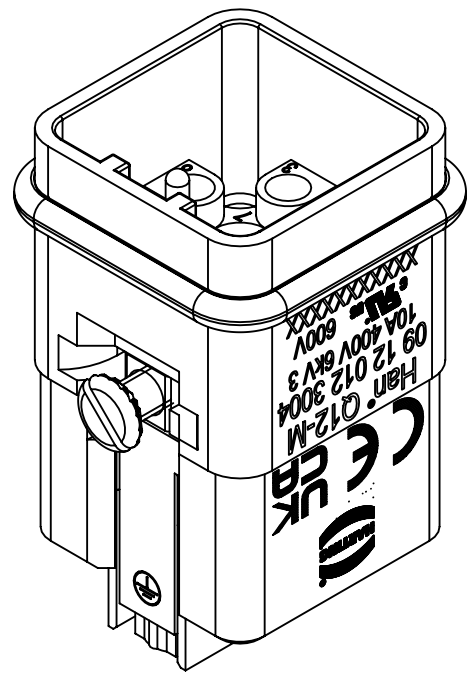


enclosed separately



	All Dimensions in mm Original Size DIN A4	Scale	Free size tol.		Ref.	
		2:1			Sub.	
	All rights reserved Department EL PD	Created by	Inspected by	Standardisation	Date	State
		100887	SUNDERMEIER		2022-10-28	Final Release
HARTING D-32339 Espelkamp		Title			Doc-Key / ECM-Nr.	
		Han Q12-M-QL 1,5mm <sup>2</sup>			100216020/UGD/002/F 500000225850	
		Type	Number		Rev.	Page
		TB	09 12 012 3004		F	1/1