

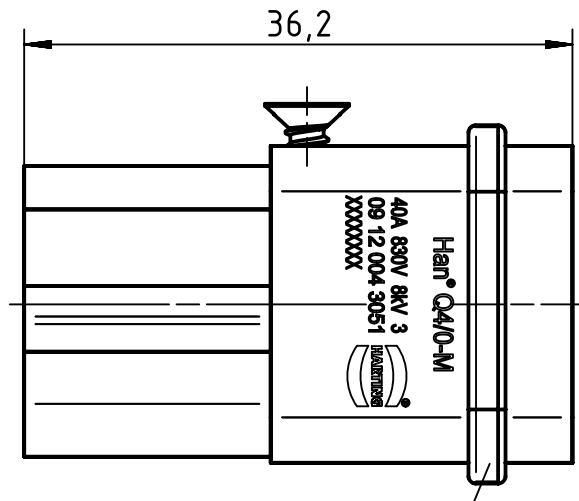
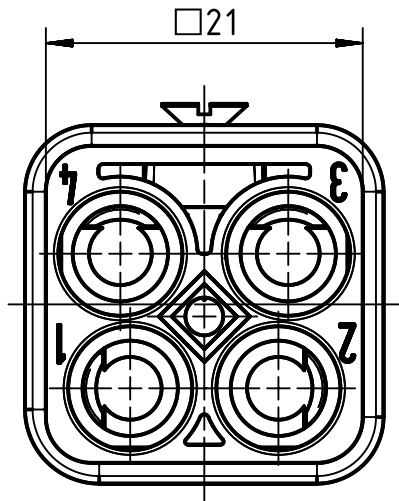
1 2 3 4 5 6

A

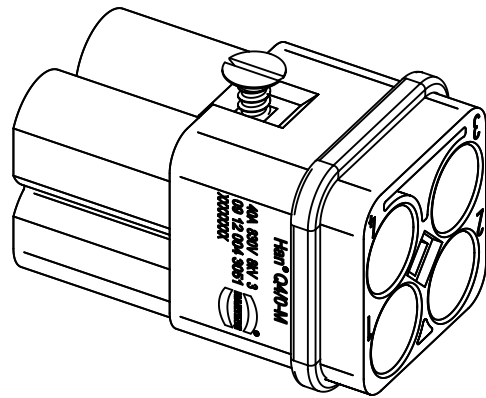
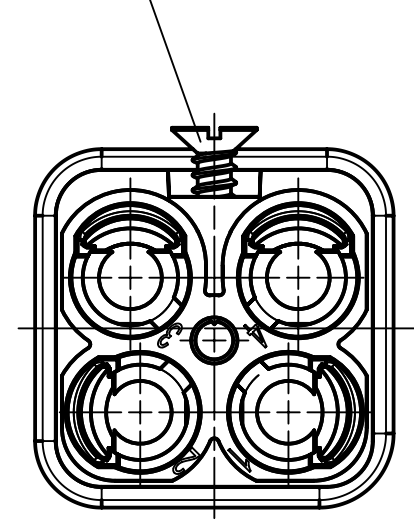
B

C


D



Insert fixing screw
separately enclosed



stripping length 10 mm² (AWG 8) = 12 mm

	All rights reserved Department EL PD - DE	All Dimensions in mm Original Size DIN A4		Scale 2:1	Free size tol.		Ref.	
		HARTING Electric GmbH & Co. KG D-32339 Espelkamp	Created by HOLLERT	Inspected by SCHNIEDER	Standardisation TIEMANNA	Date 2014-10-27	State Final Release	Sub.
Title Han Q4/0 -M- Crimp							Doc-Key / ECM-Nr. 100221447/UGD/002/F 500000081124	
				Type TB	Number 09 12 004 3051		Rev. F	Page 1/1