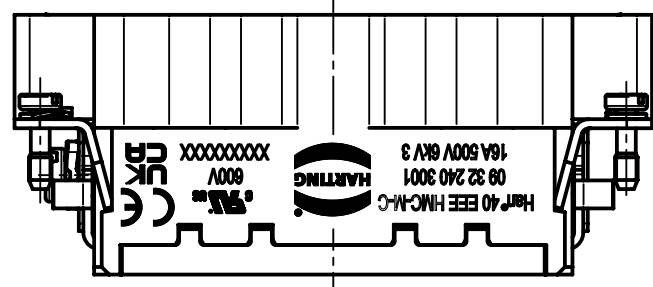
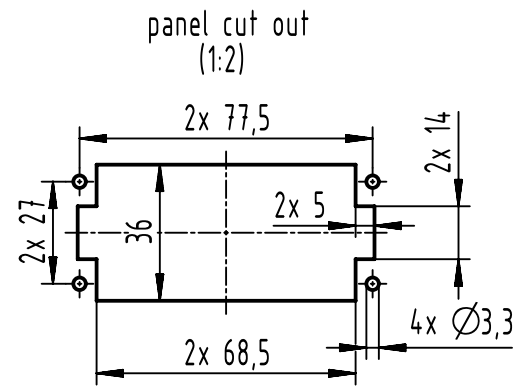


1 2 3 4 5 6

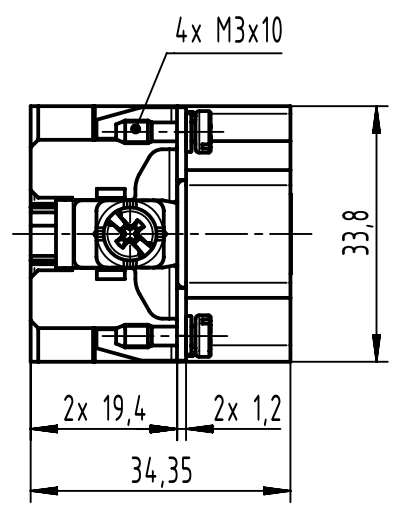
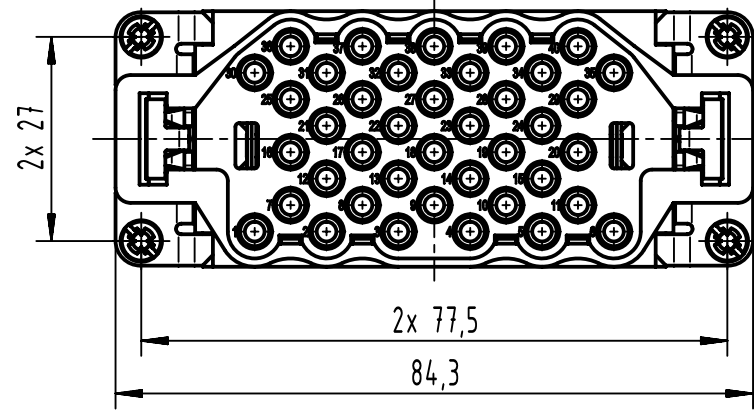
A



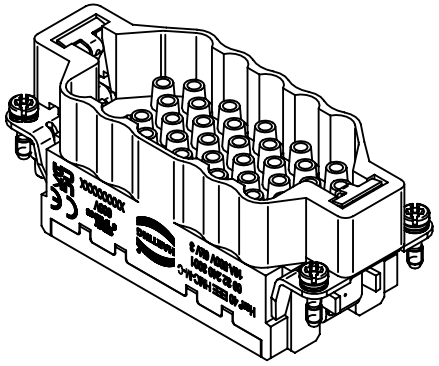
B



C



D



	All Dimensions in mm Original Size DIN A4		Scale 1:1	Free size tol.		Ref.
						Sub.
	All rights reserved		Created by HOLLERT	Inspected by SCHNIEDER	Standardisation SAP_WFRT	Date 2022-07-08
	Department EL PD					State Final Release
HARTING			Title Han 40EEE HMC-M-c			Doc-Key / ECM-Nr. 100535685/UGD/001/C 500000220556
D-32339 Espelkamp			Type TB	Number 09 32 240 3001		
						Page 1/1