

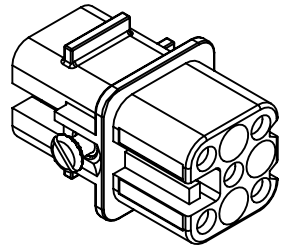
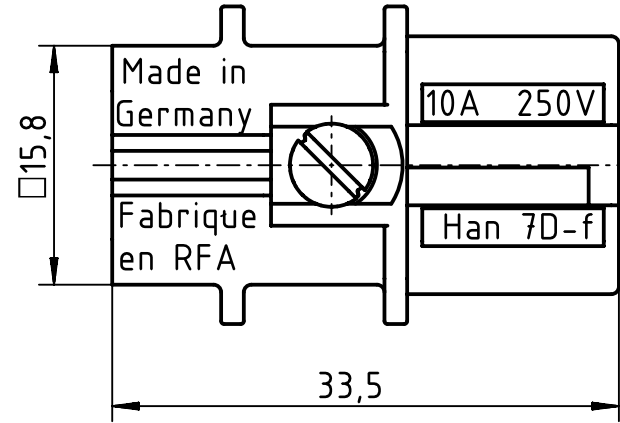
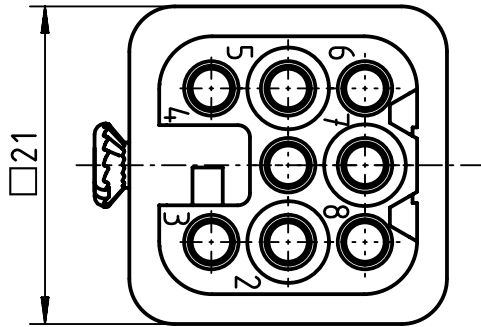
1 2 3 4 5 6


A

B

C

D



	All rights reserved Department EL PD		Created by HELLMANN		Inspected by RIEPE		Standardisation RUETERA		Date 2020-05-14		State Final Release	
	HARTING Electric GmbH & Co. KG D-32339 Espelkamp		Title Han D 7 Pos. F Insert Crimp						Doc-Key / ECM-Nr. 100229016/UGD/001/B 500000171673		Rev. B	