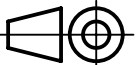



4x M4-screws and washers enclosed separately / tightening torque 1.2-2 Nm

	All Dimensions in mm Original Size DIN A4		Scale 1:1	Free size tol.		Ref.		
						Sub.		
	All rights reserved		Created by HELLMANN	Inspected by GERB	Standardisation	Date 2022-05-30	State Final Release	
	Department EL PD		Title Han-Yellock 60 HSM 1xM25				Doc-Key / ECM-Nr. 100215953/UGD/004/E 500000211623	
HARTING D-32339 Espelkamp			Type TB	Number 11 12 600 1201			Rev. E	Page 1/1