

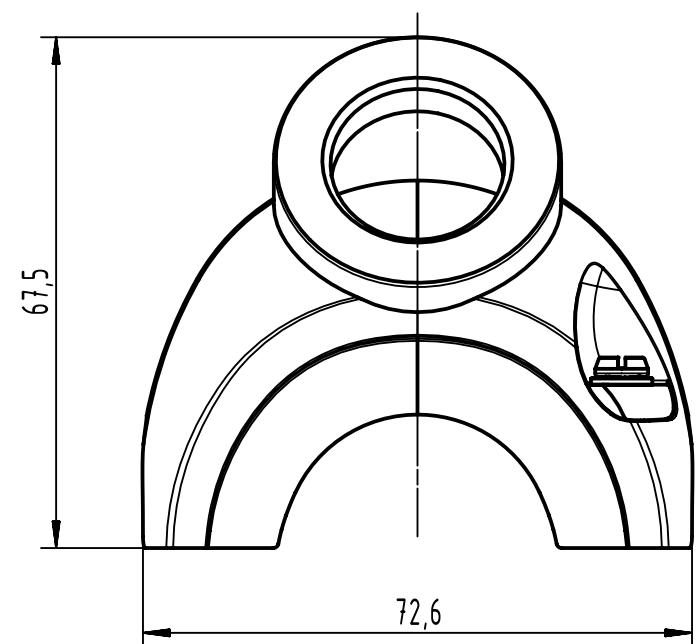
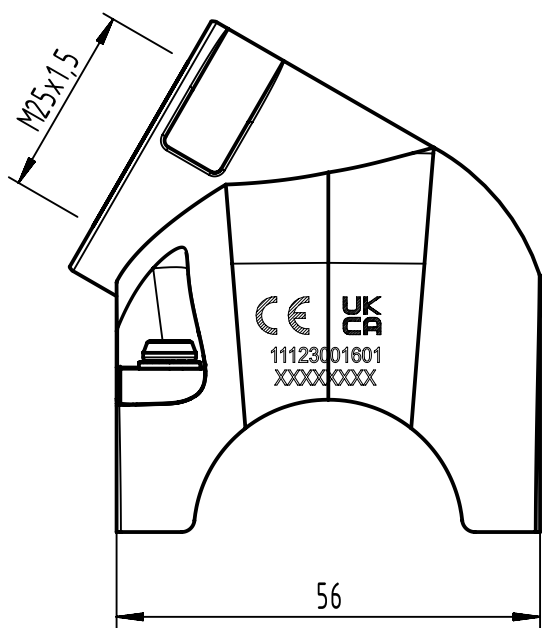
1 2 3 4 5 6

A

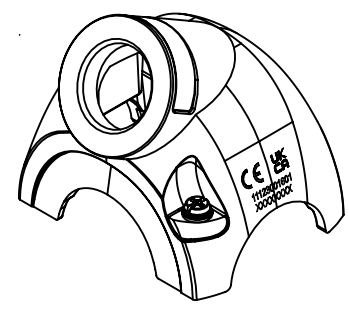
B

C

D



range of delivery: shell with M4 screws, washers and seals
to mount on carrier hood



	All Dimensions in mm Original Size DIN A4		Scale 1:1	Free size tol.		Ref.		
						Sub.		
	All rights reserved		Created by HELLMANN	Inspected by GERB	Standardisation	Date 2021-11-09	State Final Release	
	Department EL PD		Title Han-Yellock 30-Hood-M25 angled				Doc-Key / ECM-Nr. 100521682/UGD/002/B 500000204234	
HARTING D-32339 Espelkamp			Type TB	Number 11 13 300 1601			Rev. B	Page 1/1