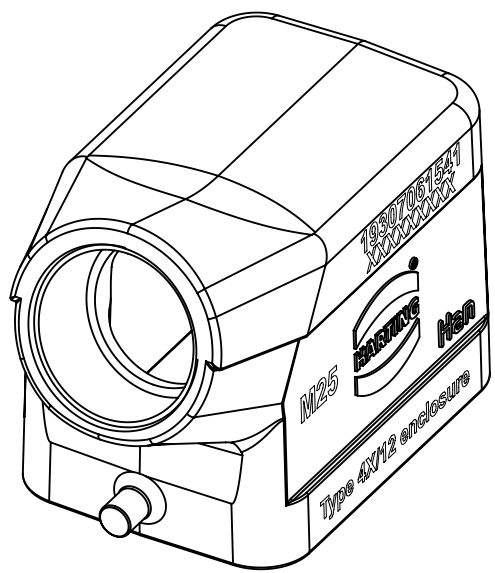
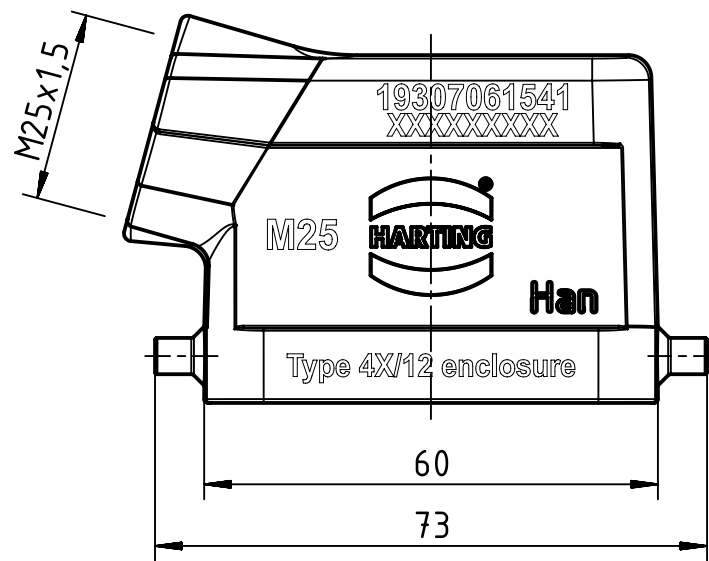
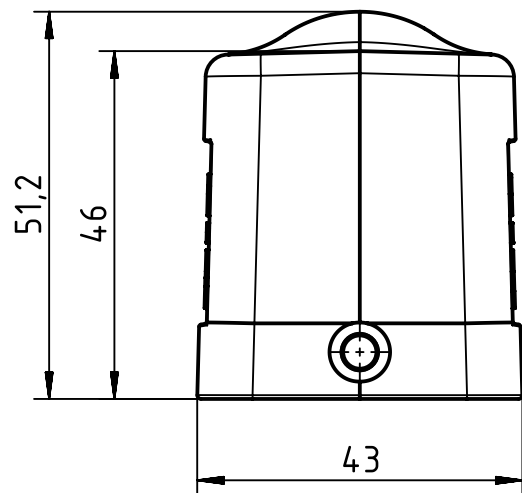


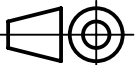

A

B

C

D



 All Dimensions in mm Original Size DIN A4	Scale	Free size tol.			Ref.	
	1:1				Sub.	
 All rights reserved Department EL PD	Created by	Inspected by	Standardisation	Date	State	
	SPRENB	GERB	GARSKE	2019-12-06	Final Release	
HARTING Electric GmbH & Co. KG D-32339 Espelkamp	Title				Doc-Key / ECM-Nr.	
	Han 6B-HSE-LC-2 reels-M25-black				100507339/UGD/002/E 500000161963	
Type		Number			Rev.	Page
TB		19 30 706 1541			E	1/1