

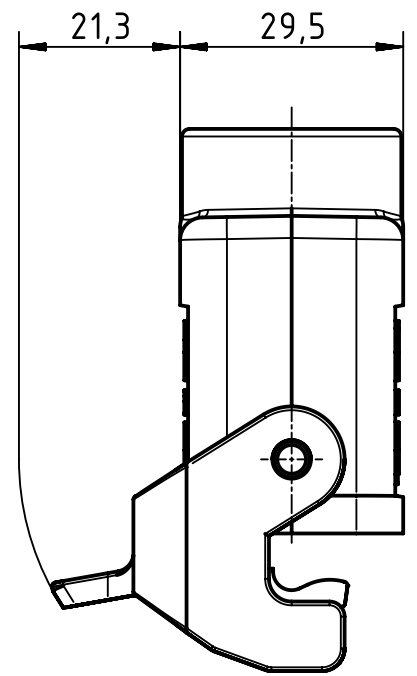
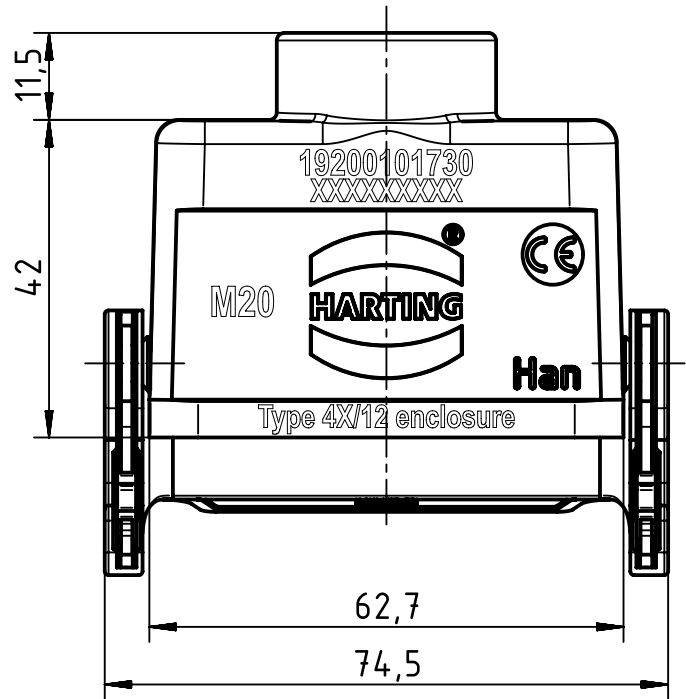
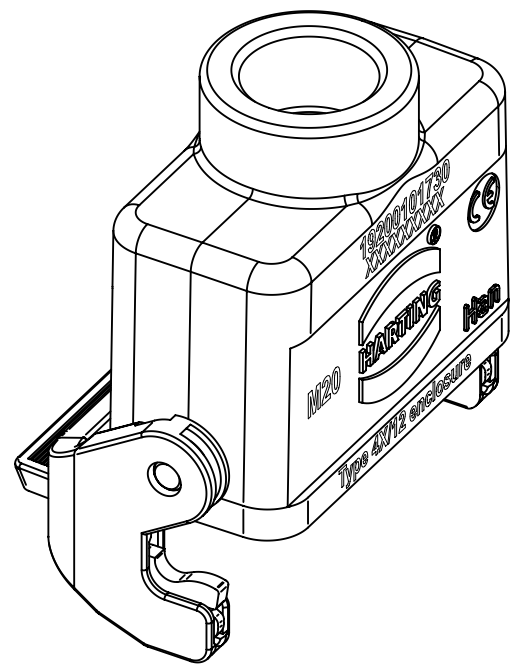
1 2 3 4 5 6

A

B

C

D



	All Dimensions in mm Original Size DIN A4		Scale 1:1		Free size tol.		Ref.		
							Sub.		
	All rights reserved		Created by HELLMANN	Inspected by GERB	Standardisation GARSKE	Date 2019-11-25	State Final Release		
	Department EL PD		Title Han 10A-HCC-SL-M20				Doc-Key / ECM-Nr. 100217457/UGD/003/C 500000161399		
HARTING Electric GmbH & Co. KG D-32339 Espelkamp			Type TB	Number 19 20 010 1730			Rev. C	Page 1/1	