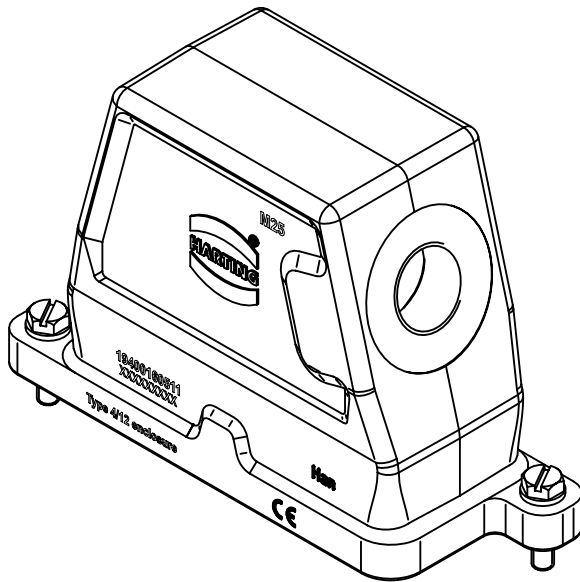
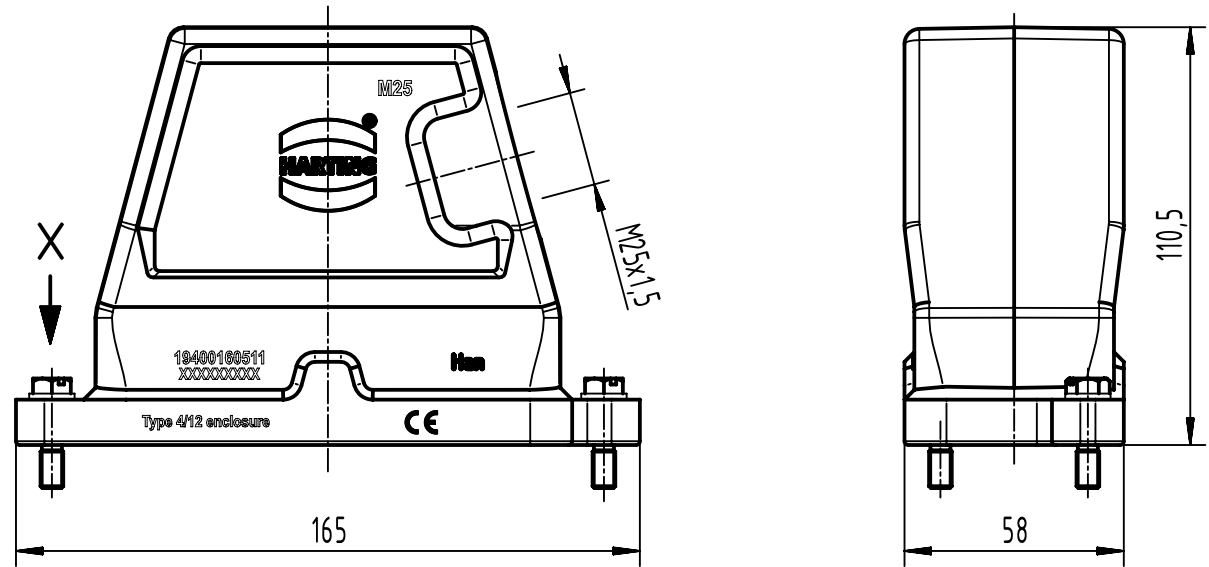
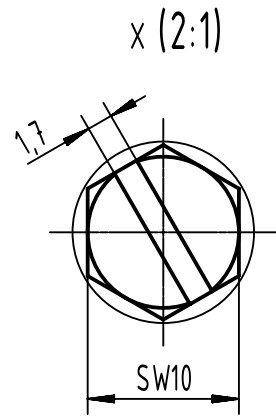


A

B

C

D



	All Dimensions in mm Original Size DIN A4		Scale 1:2	Free size tol.		Ref.
			Created by HELLMANN	Inspected by GERB	Standardisation 302077	Date 2021-01-19
All rights reserved Department EL PD		Title Han 16HPR-gS-SV-M25		State Final Release		Doc-Key / ECM-Nr. 100215013/UGD/004/C 500000178007
HARTING D-32339 Espelkamp		Type TB	Number 19 40 016 0511		Rev. C	Page 1/1