

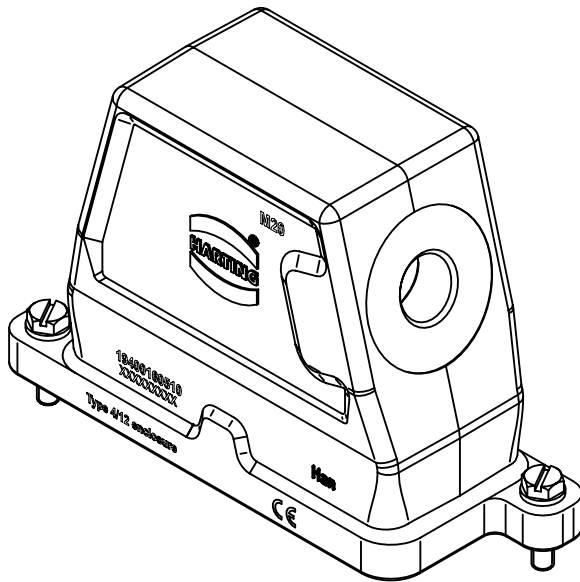
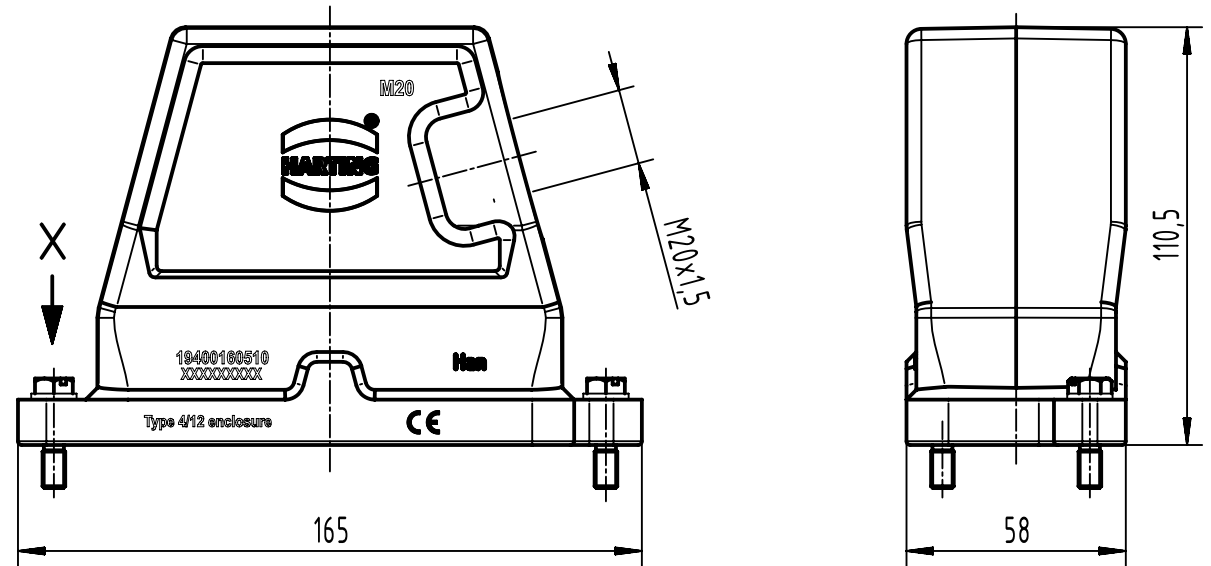
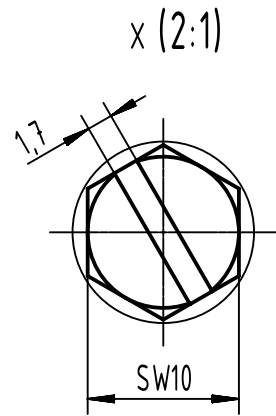
1 2 3 4 5 6

A

B

C

D



	All Dimensions in mm Original Size DIN A4		Scale 1:2	Free size tol.		Ref.		
						Sub.		
	All rights reserved		Created by HELLMANN	Inspected by GERB	Standardisation 302077	Date 2021-01-19	State Final Release	
	Department EL PD		Title Han 16HPR-HSE-SL-M20				Doc-Key / ECM-Nr. 100719832/UGD/004/B 500000178007	
HARTING D-32339 Espelkamp			Type TB	Number 19 40 016 0510			Rev. B	Page 1/1