

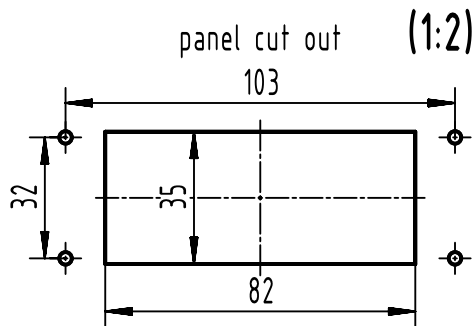
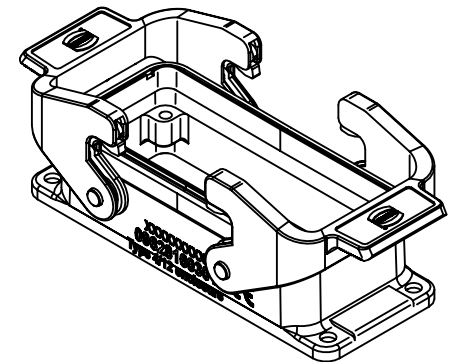
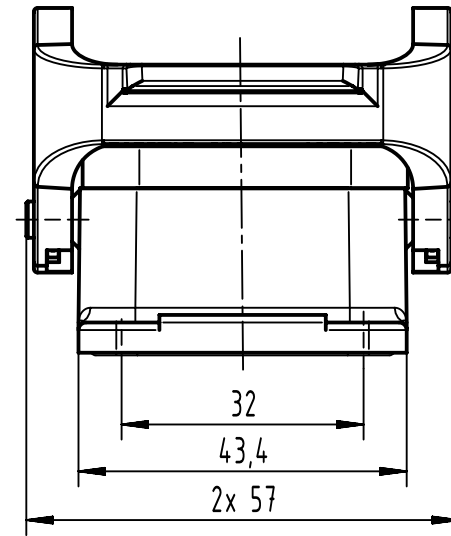
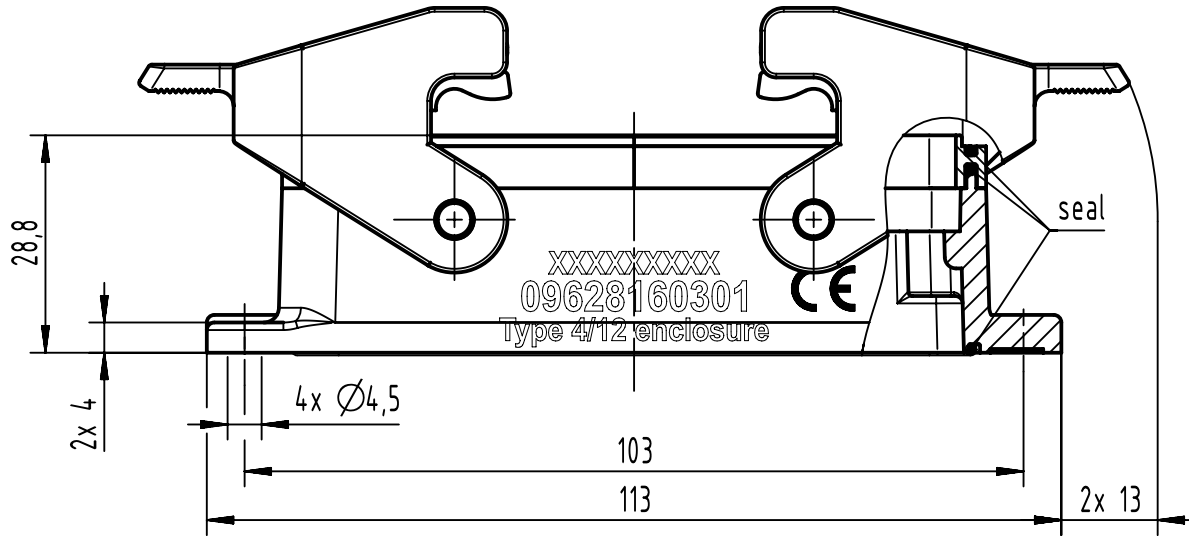
1 2 3 4 5 6


A

B

C

D



	All rights reserved		Created by HOLLERT		Inspected by GERB		Standardisation SAP_WFRT		Date 2022-01-17		State Final Release		
	Department EL PD		Title Han EMC/B 16 Base Panel		Doc-Key / ECM-Nr. 100196950/UGD/004/D 500000209537		Type TB		Number 09 62 816 0301		Rev. D		
HARTING D-32339 Espelkamp			All Dimensions in mm Original Size DIN A4			Scale 1:1 Free size tol.			Ref. Sub.			Page 1/1	