

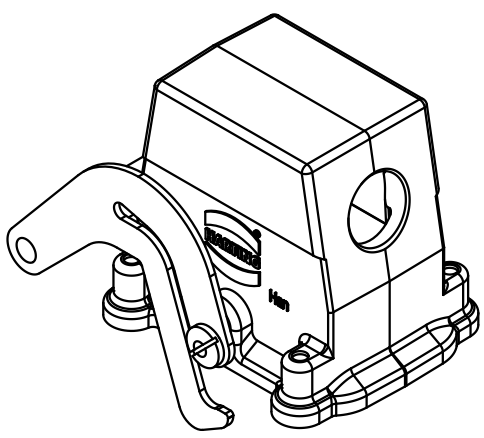
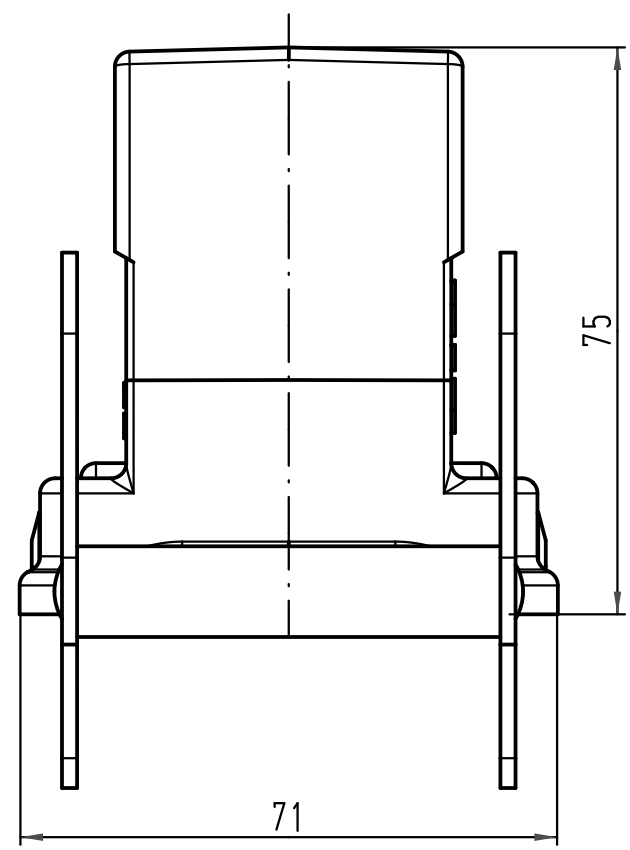
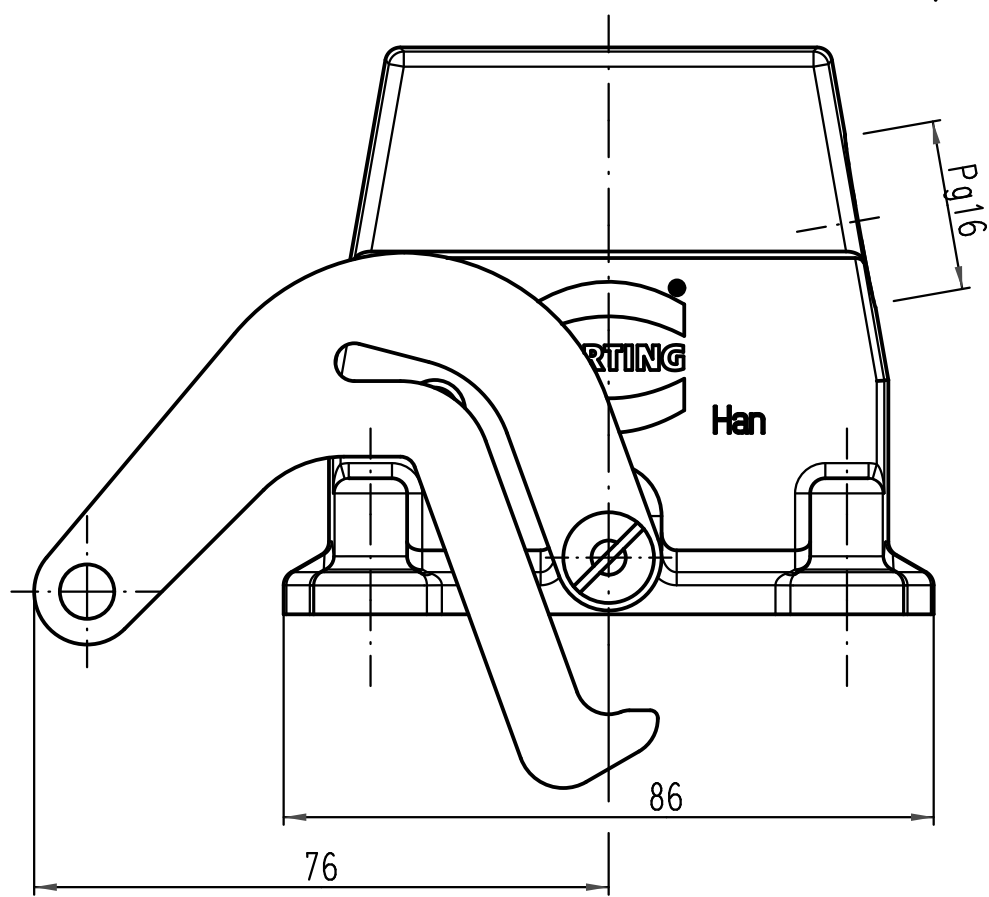
1 2 3 4 5 6

A

B

C

D



| | | | | | | | |
|---|------|-------------------|--------------------------------|----------|---|---|-----|
| All Dimensions in mm Original Size DIN A 4 | | Techn. Character. | | | Nicht tolerierte Maße! Free size tolerances | | |
| | | | Dat. | Name | Maßstab/Scale 1:1 | Han 10EMV-gs-ZV-16 mit Zentralverriegelung <i>with central locking</i> | |
| | | | Detail. | 10.11.10 | | | gru |
| | | | Insp. | | | | Tie |
| | | | Stand. | | | | |
| A | | | HARTING Electric GmbH & Co. KG | | | TB 09 62 010 0580 Sub. TB 09 62 010 0580 v. 09.04.02 | |
| Mod. | Dat. | Name | D-32339 Espelkamp | | | | |
| | | | | | | Blatt/ page | |